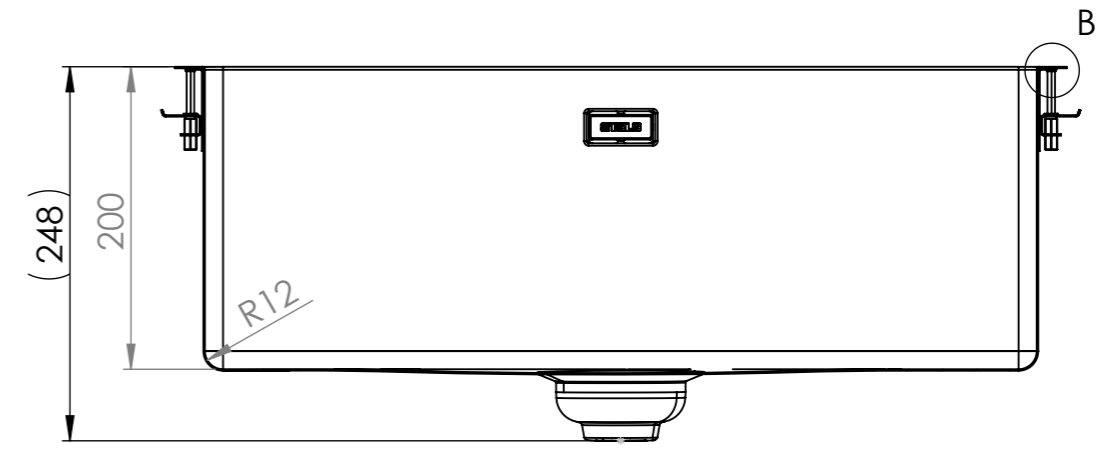
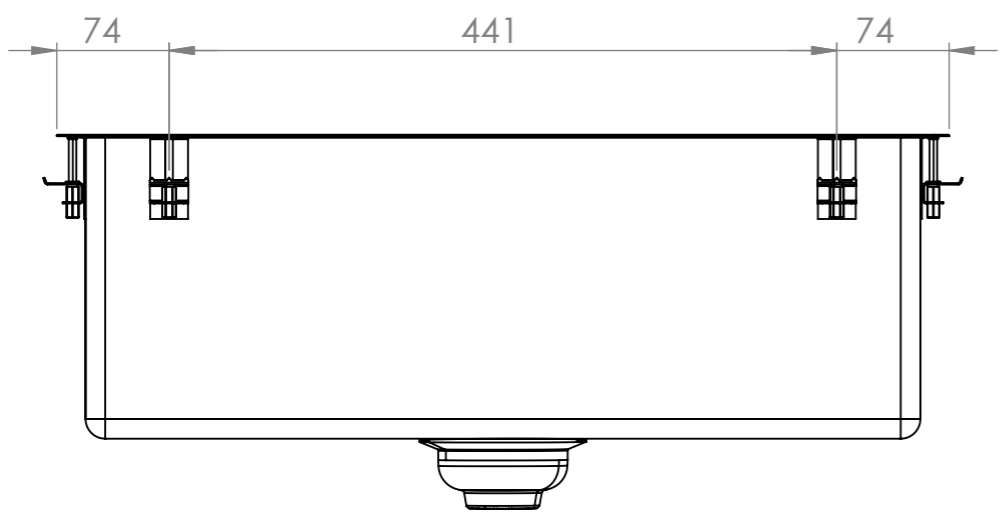
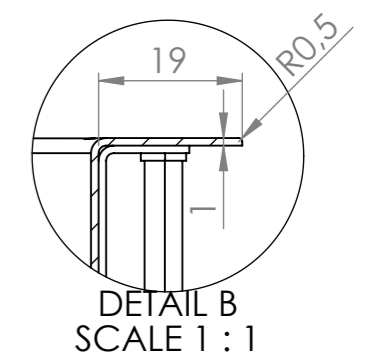


1	2	3	4	5	6	7	8
Change description						Date	Designed by

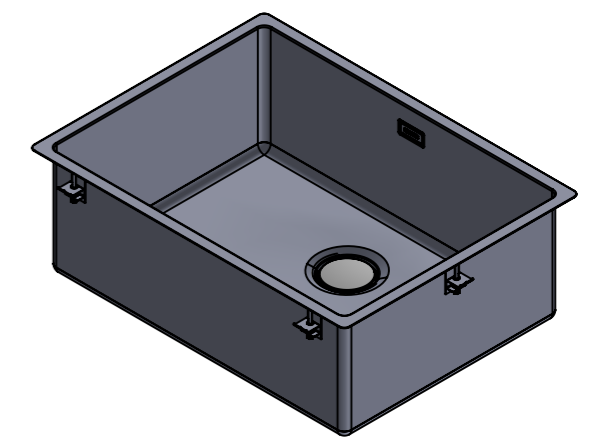
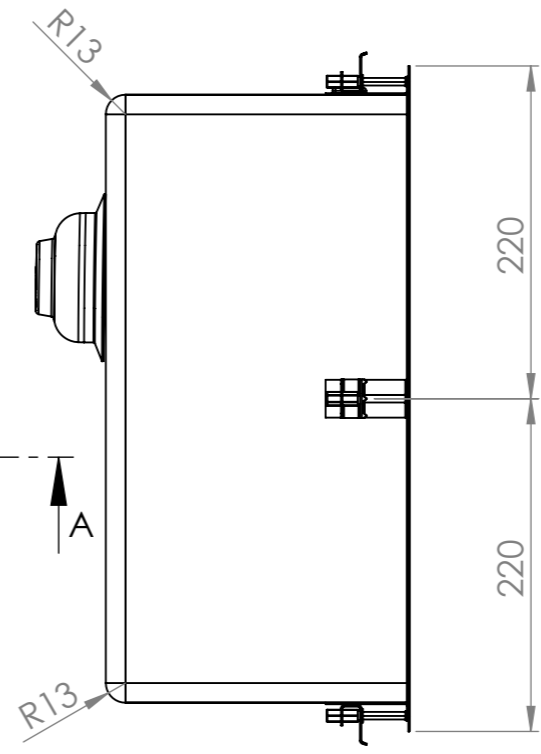
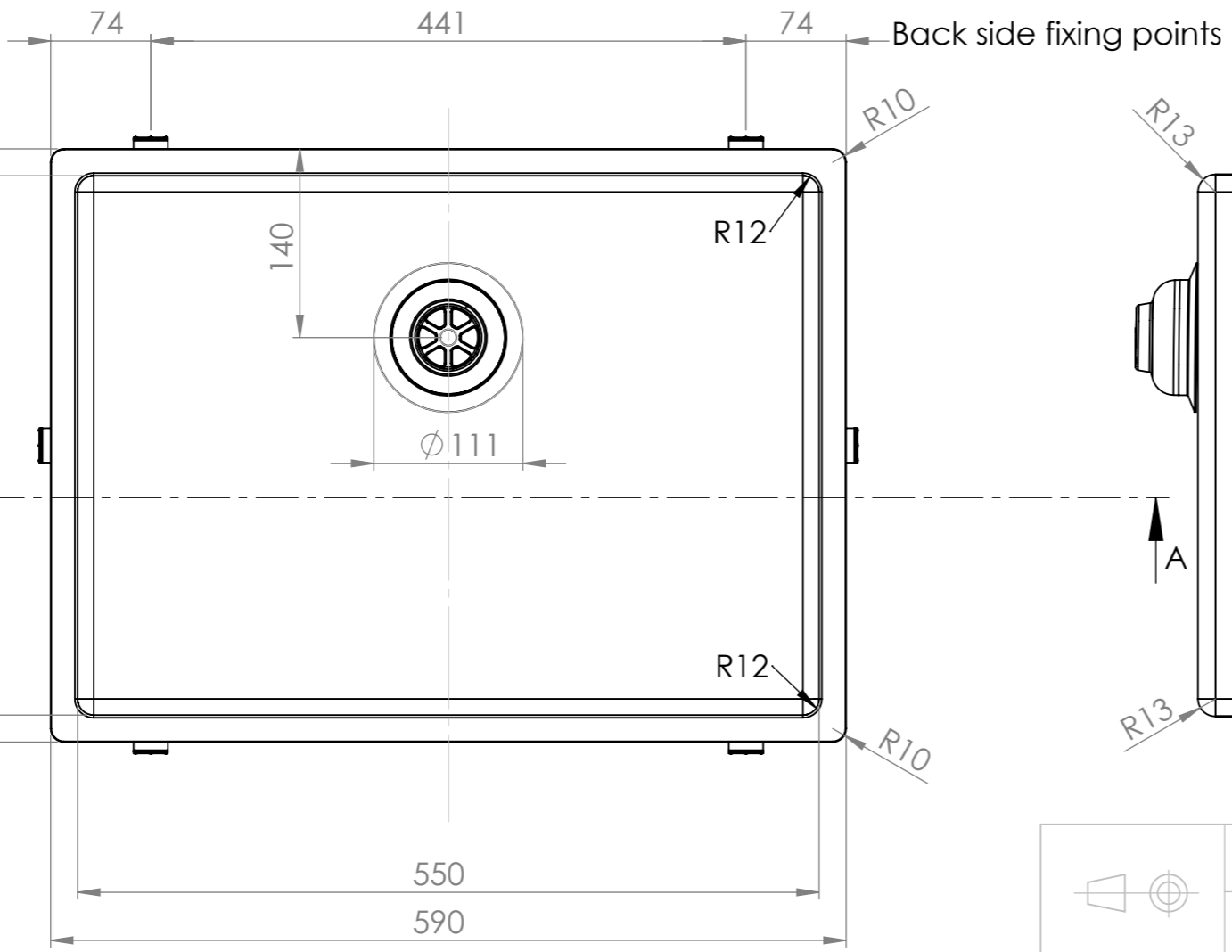
MAIN DIMENSIONS



SECTION A-A



DETAIL B
SCALE 1 : 1



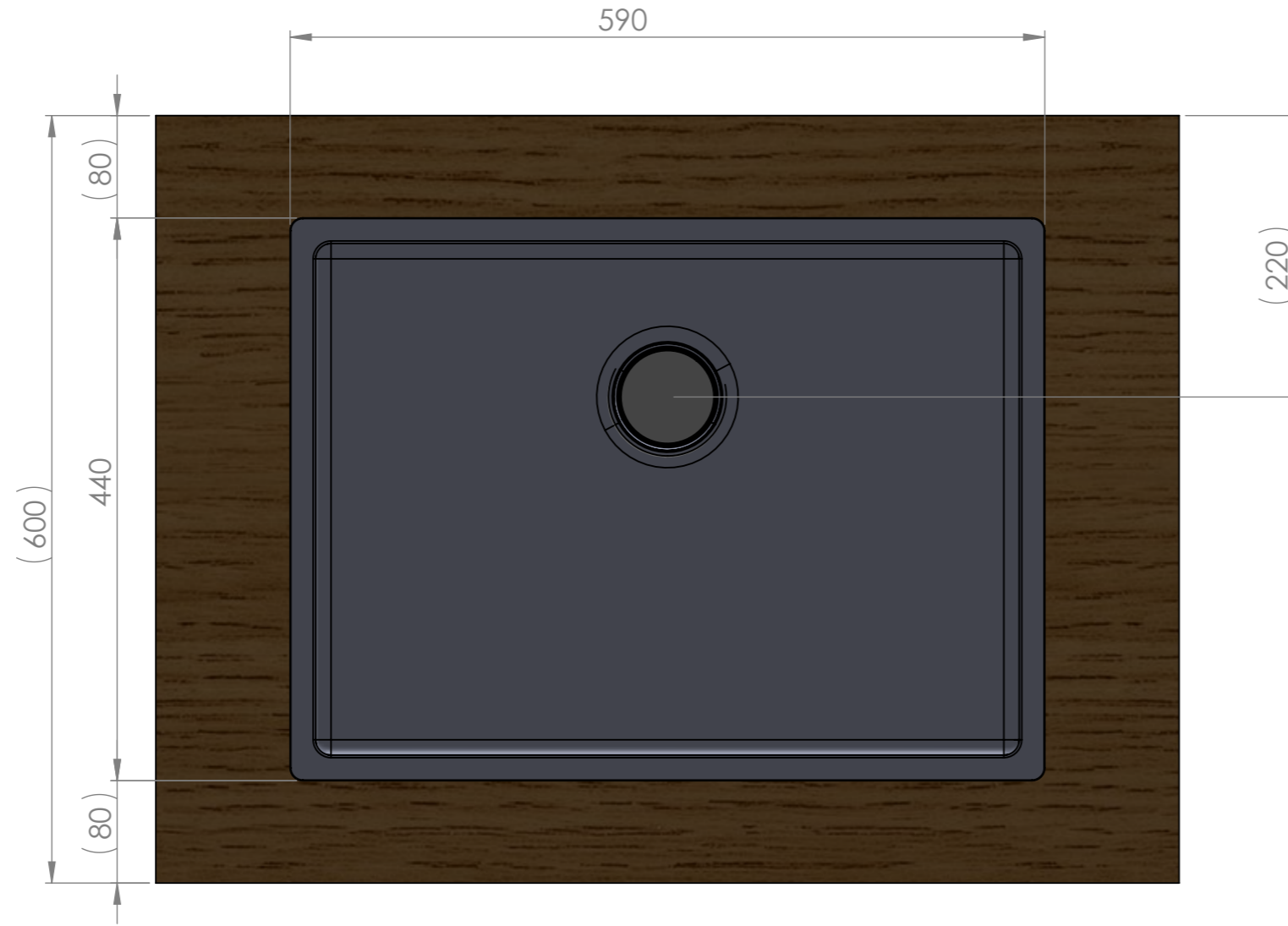
	Mass	kg	General tolerance	Designed by	Date
	Size	Scale	Item	VS	28.05.2024
	A3	1:5	Description	Approved by	Date
	Member of ALVEUS	ULTRA-55	Technical Data Sheet	VS	02.09.2024
			Drawing number	Sheet/sheets	
			19806	1/6	
				Rev	A

WORKTOP ASSEMBLY

Change description

Date

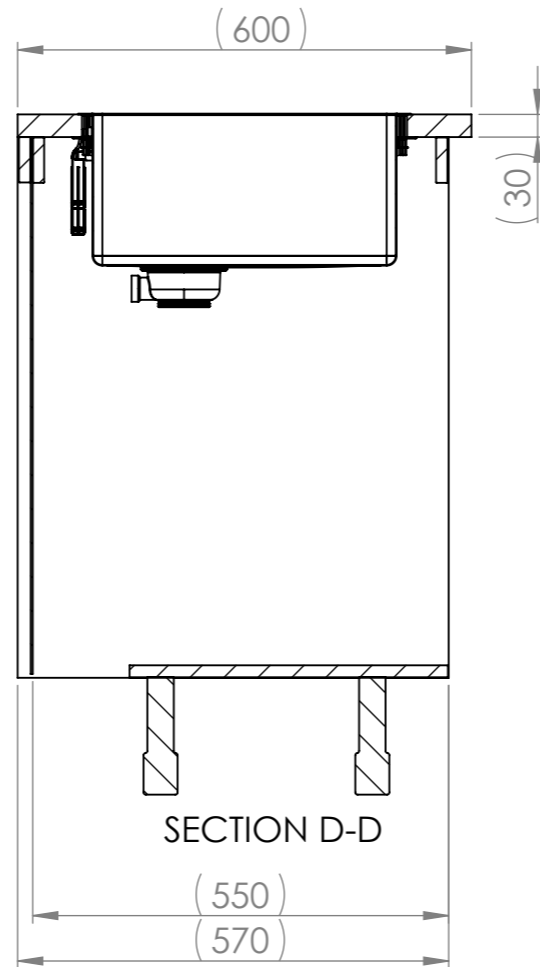
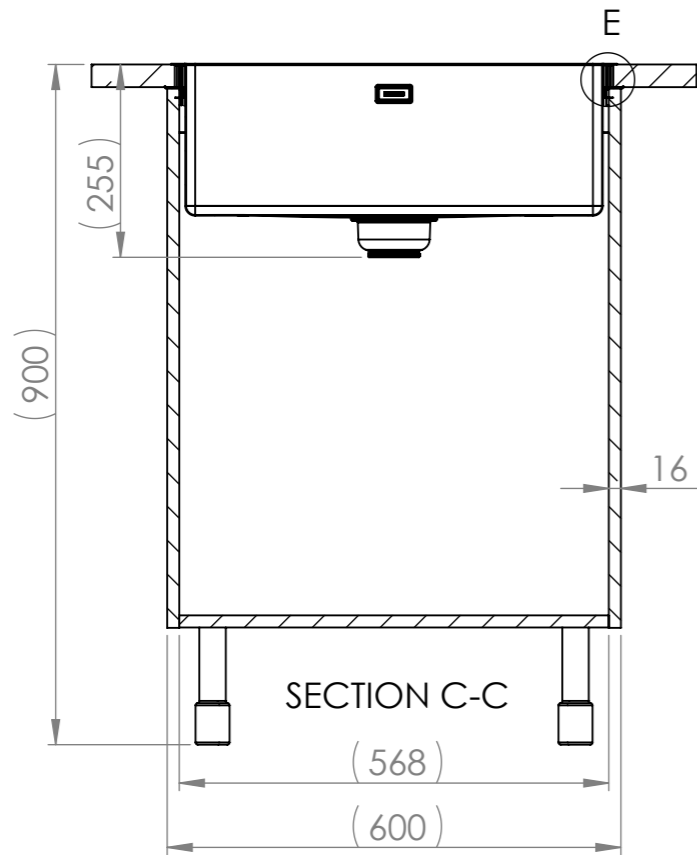
Designed by



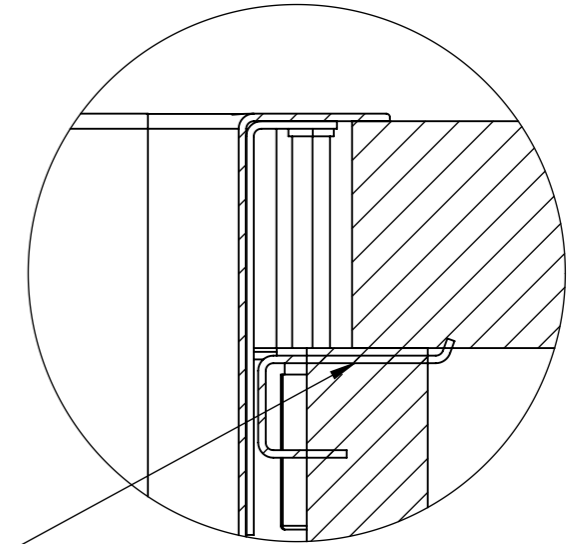
	Mass	kg	General tolerance	Designed by	Date
	Size	Scale	Item	VS	28.05.2024
 Member of	A3	1:5	Description	Approved by	Date
			ULTRA-55	VS	02.09.2024
			Technical Data Sheet	Drawing number	Sheet/sheets
			19806	2/6	Rev
				A	

Change description	Date	Designed by
--------------------	------	-------------

SPACE REQUIREMENTS



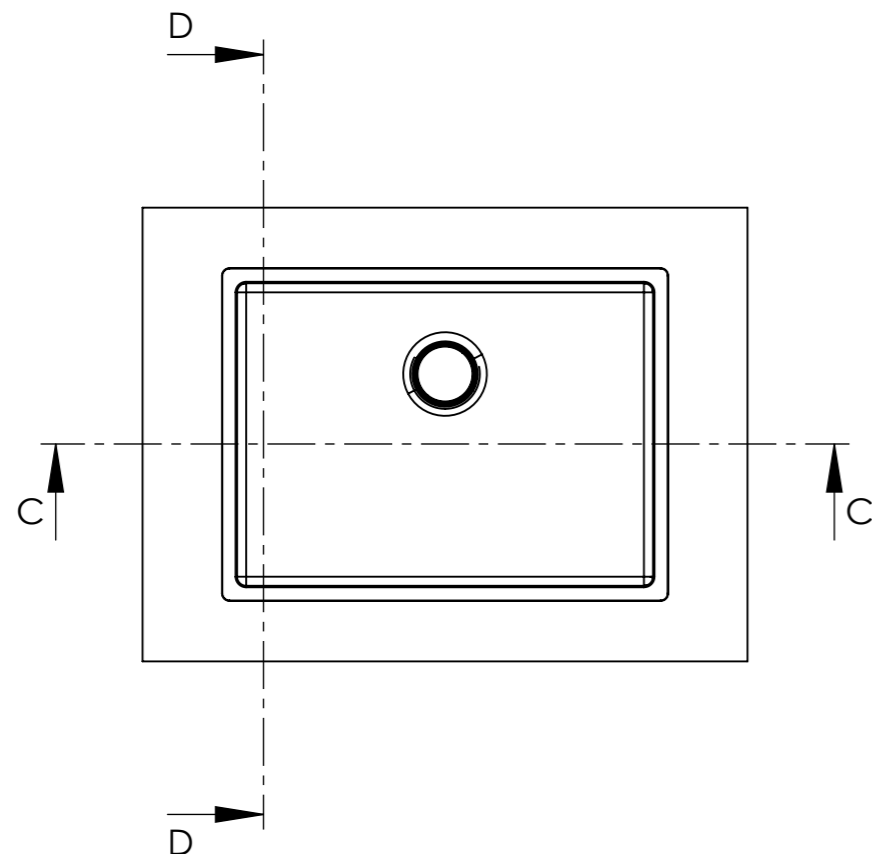
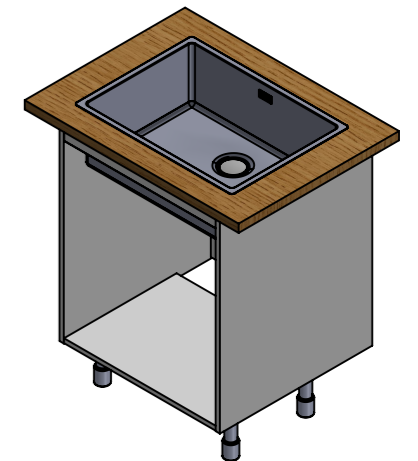
DETAIL E
SCALE 1 : 1



Huom!
Tarvittaessa kaapin väliseinää ja etu/takalistaa lovetettava kiinnikkeitä varten ja pesuallas on kiinnitettävä ennen työtason asennusta.

Obs!
Vid behov måste en inskärning för hofästena göras i skåpets mellanvägg och förbindningslist och diskbänken måste fästas innan du monterar bänkskivan.

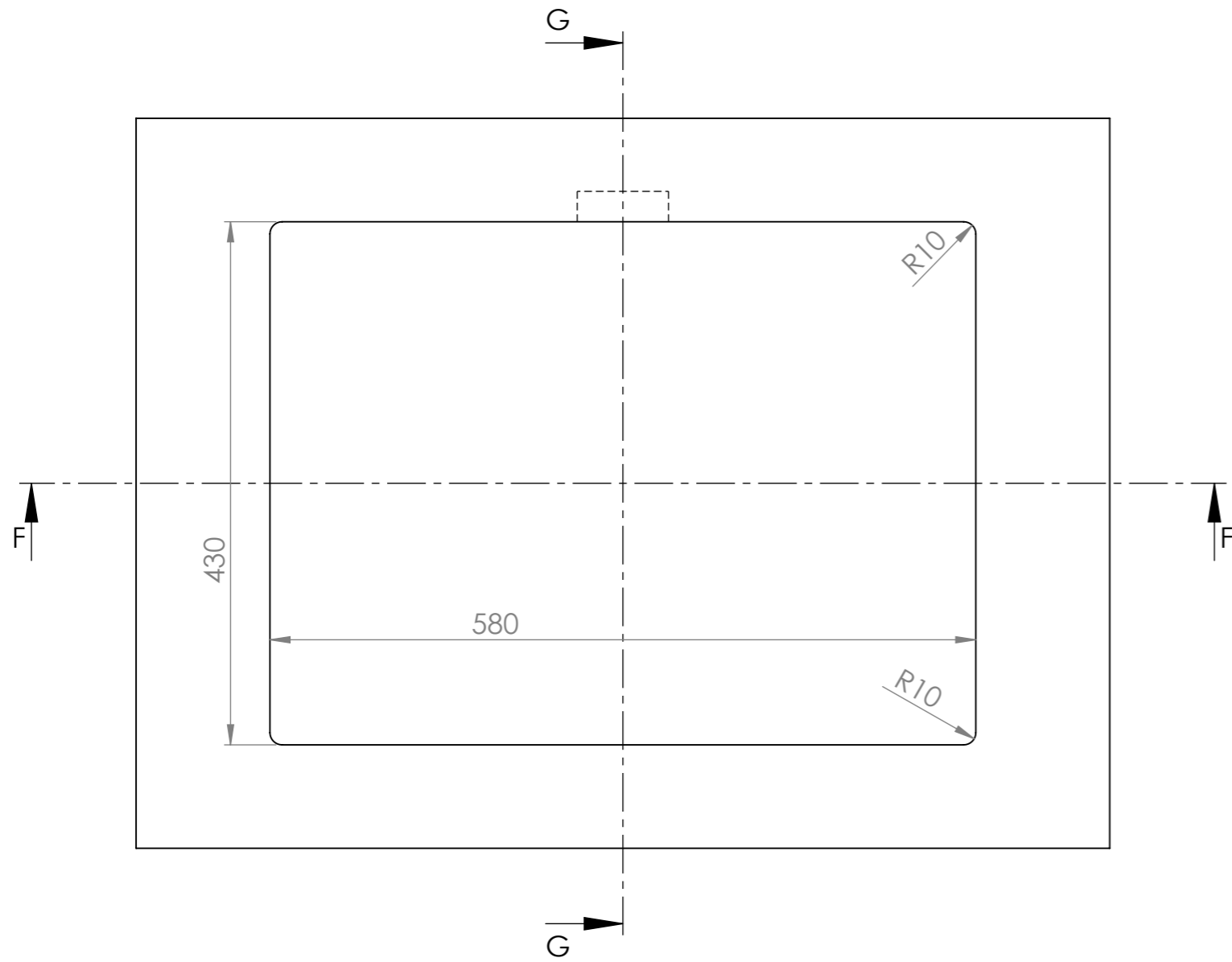
Notice!
The partition walls and front/back list of the cupboard must be notched for the sink mountings when needed and the sink must be fastened before installing the worktop.



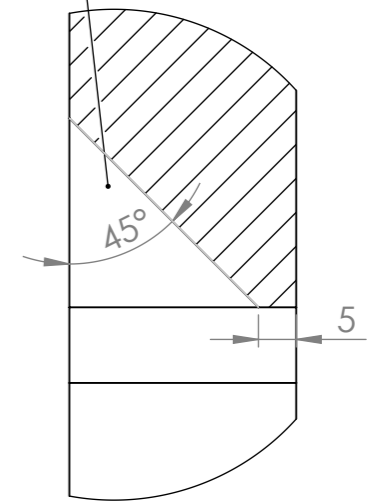
	Mass	kg	General tolerance	Designed by	Date
	Size	Scale		VS	28.05.2024
	A3	1:10	Description ULTRA-55 Technical Data Sheet	Approved by	Date
				VS	02.09.2024
				Drawing number	Sheet/sheets
				19806	3/6
				Rev	A

Change description	Date	Designed by
--------------------	------	-------------

CUT-OUT

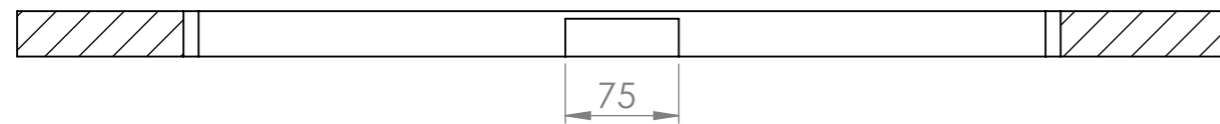
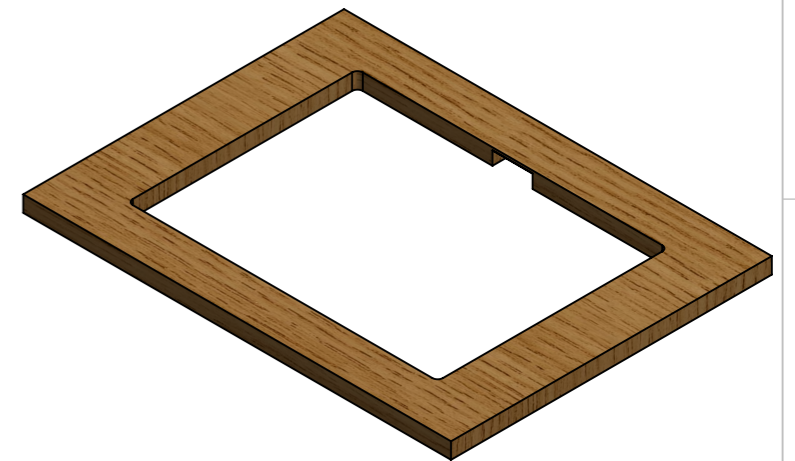


Cut-out for overflow



DETAIL H
SCALE 1 : 1

SECTION G-G



SECTION F-F

	Mass	kg	General tolerance	Designed by	Date
	Size	A3	Scale	VS	28.05.2024
	Item	1:5	Description ULTRA-55 Technical Data Sheet	Approved by	Date
		VS		02.09.2024	
			Drawing number	Sheet/sheets	
			19806	4/6	
				Rev	A

