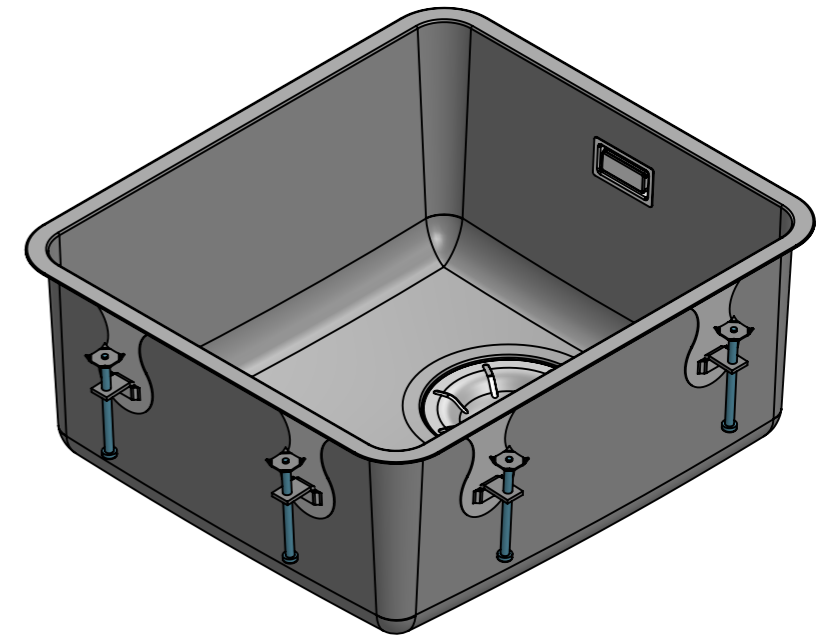
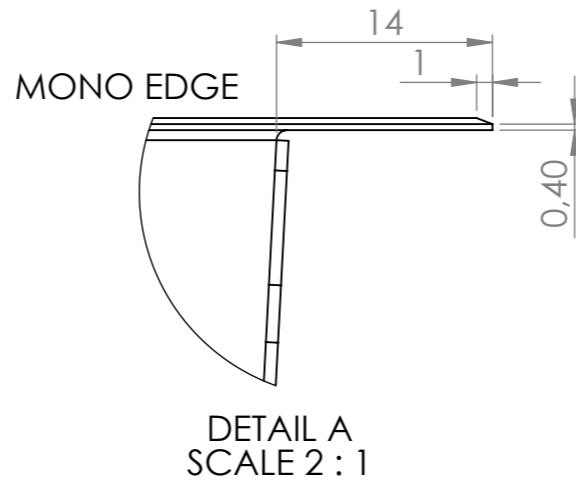
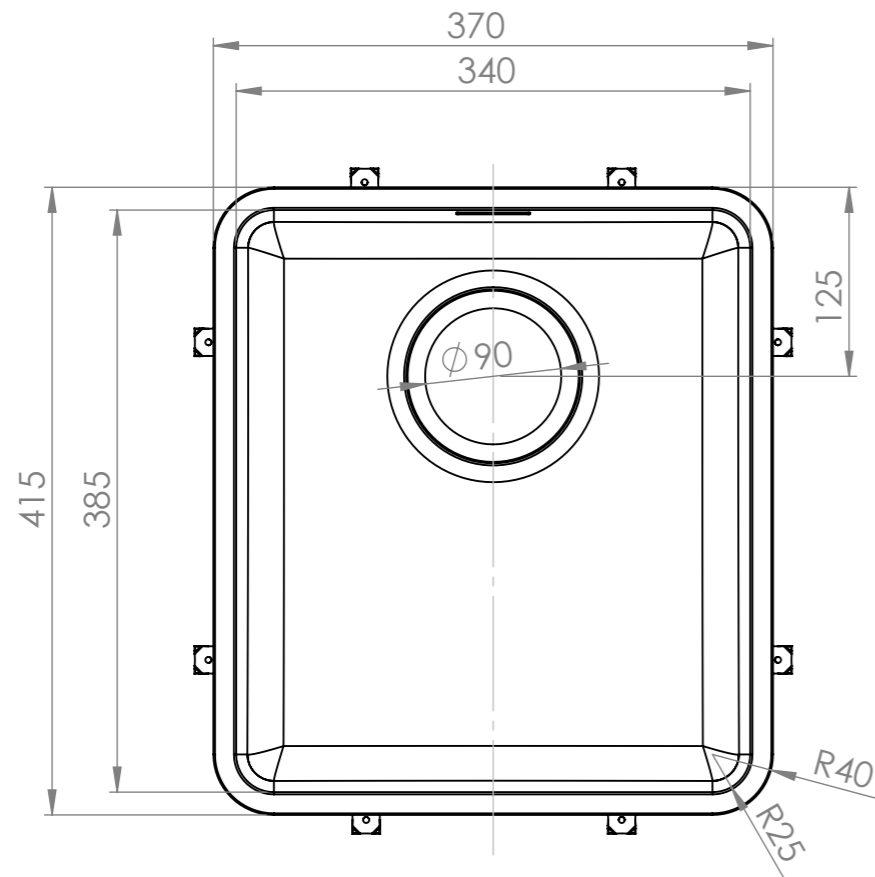
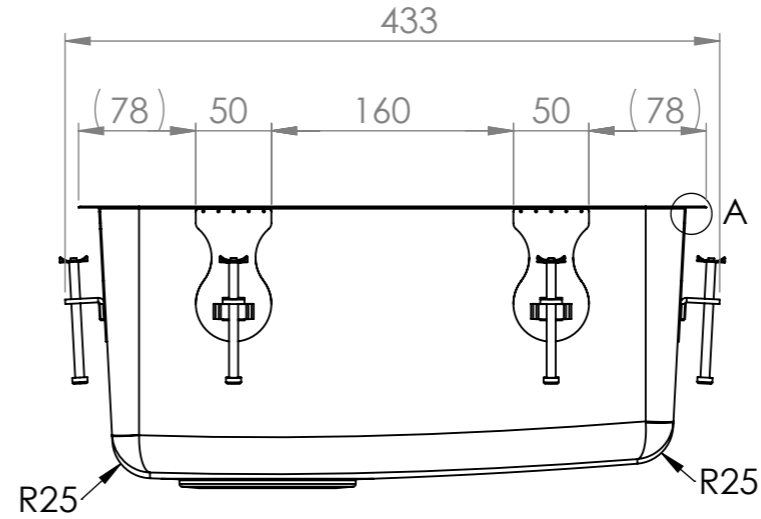
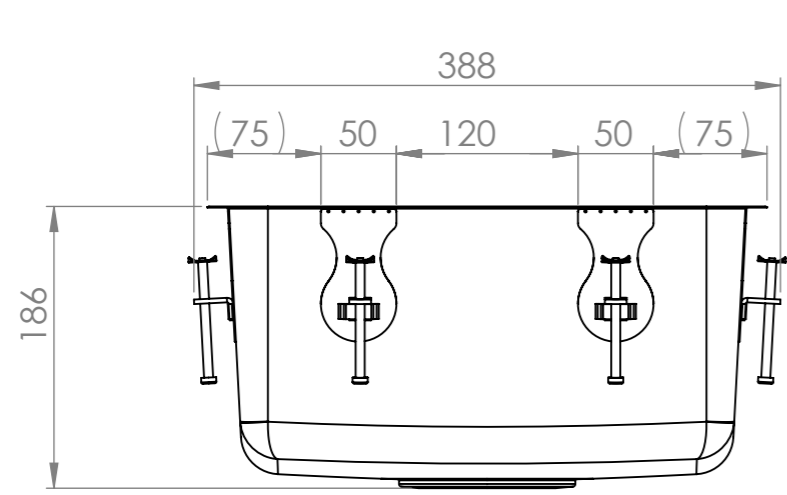


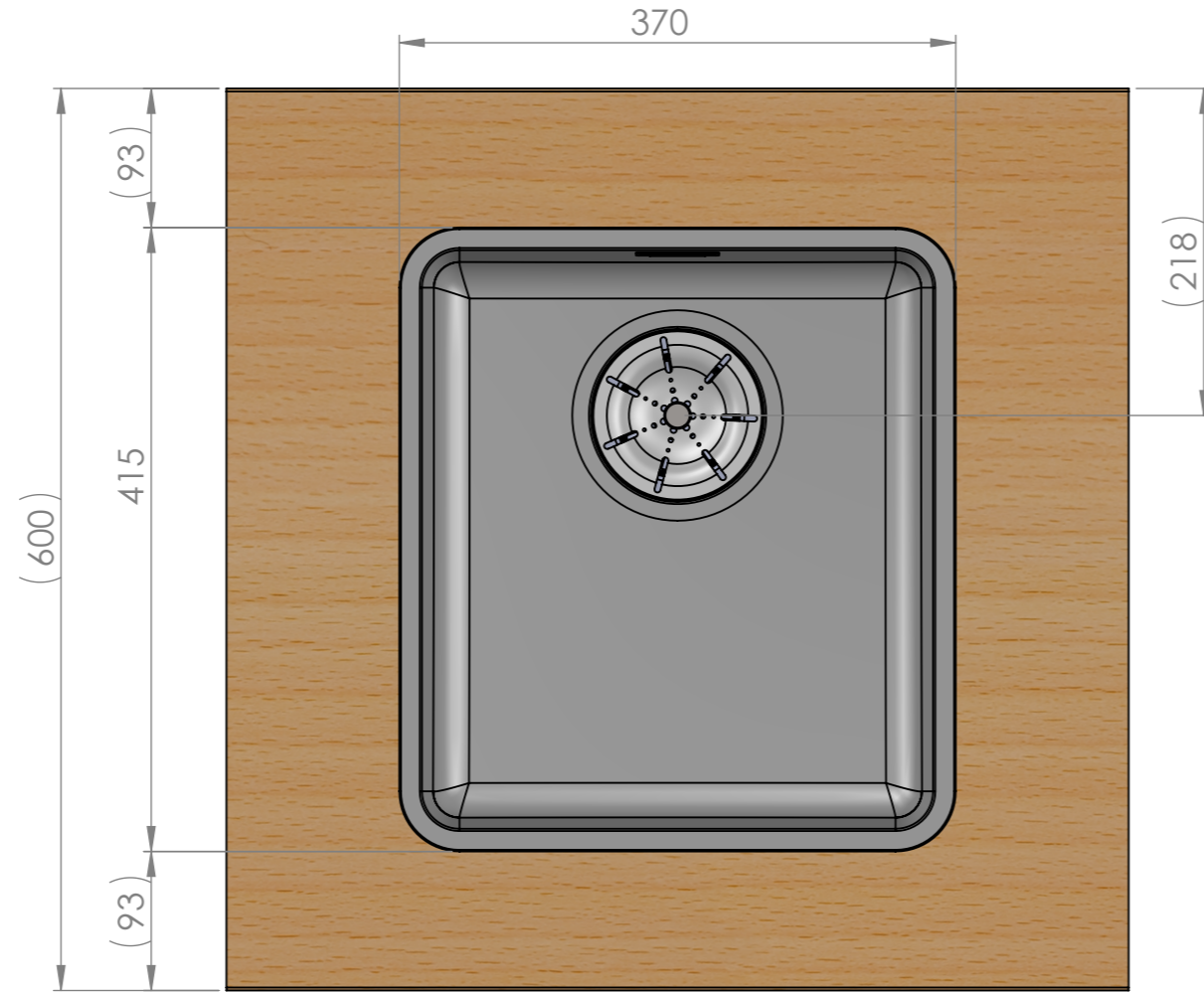
| | | |
|--------------------|------|-------------|
| Change description | Date | Designed by |
|--------------------|------|-------------|

MAIN DIMENSIONS



| | | | | | | | | |
|--|------|----|----------------------|-------------|--------|----------------|-------------|----|
| | Mass | kg | General tolerance | Designed by | VS | Date | 20.03.2024 | |
| | Size | A3 | | Scale | 1:5 | Item | Approved by | VS |
| | | | Description | | ONE-34 | Drawing number | 19661 | |
| | | | Technical Data Sheet | | 19661 | Sheet/sheets | 1/6 | |
| | | | | | | Rev | A | |

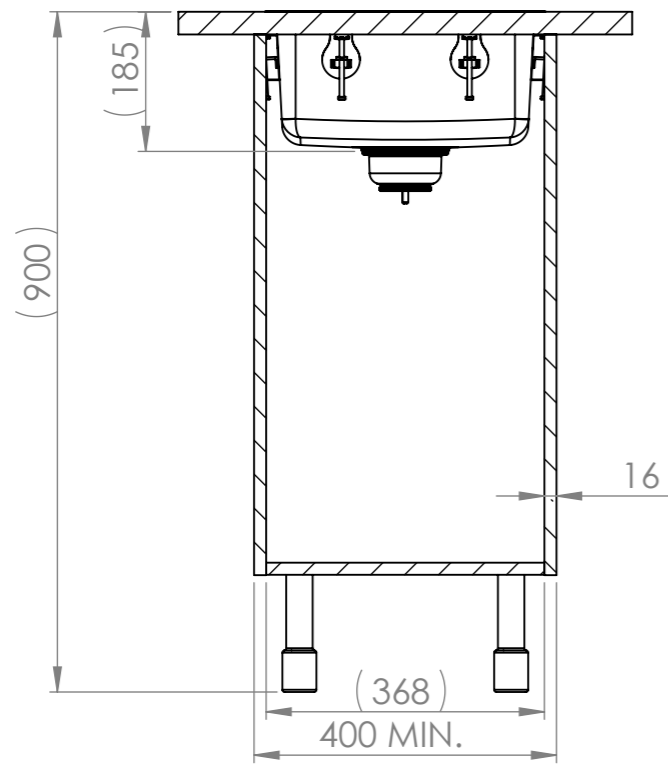
WORKTOP ASSEMBLY



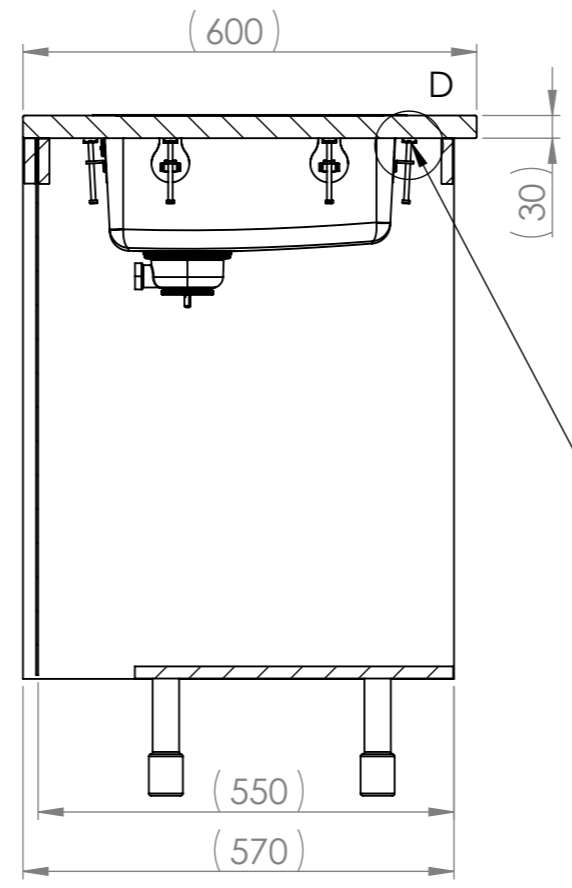
| | | |
|--------------------|------|-------------|
| Change description | Date | Designed by |
|--------------------|------|-------------|

| | | | | | |
|--------------------------------------|------|-------|----------------------|----------------|--------------|
| | Mass | kg | General tolerance | Designed by | Date |
| | Size | Scale | Item | VS | 20.03.2024 |
| STALA Member of ALVEUS | A3 | 1:5 | Description | Approved by | Date |
| | | | ONE-34 | VS | 18.04.2024 |
| | | | Technical Data Sheet | Drawing number | Sheet/sheets |
| | | | 19661 | 2/6 | Rev |
| | | | | A | |

SPACE REQUIREMENTS

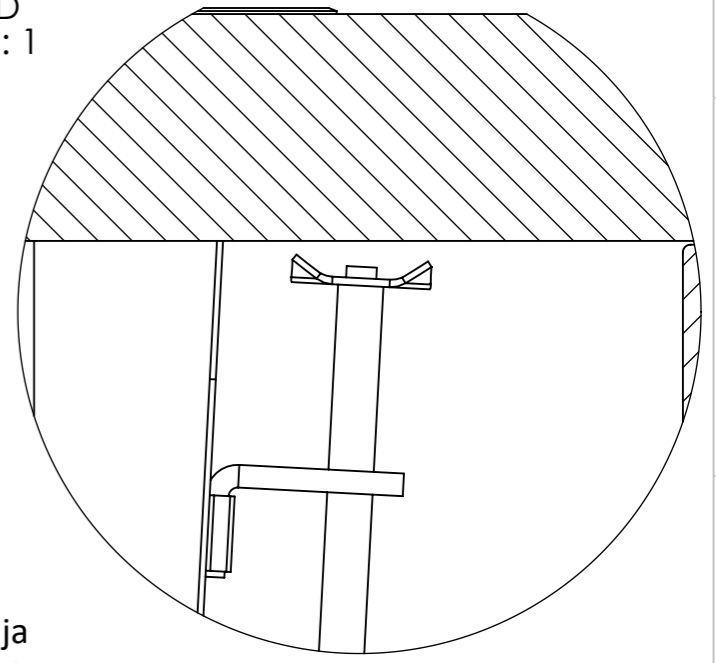


SECTION B-B



SECTION C-C

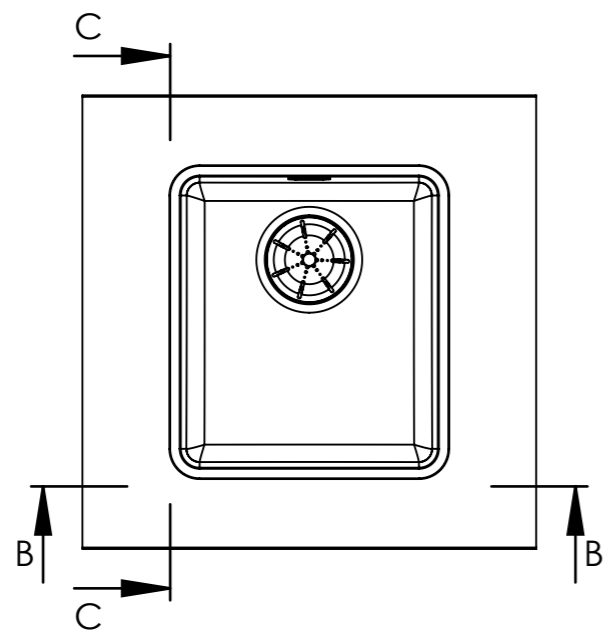
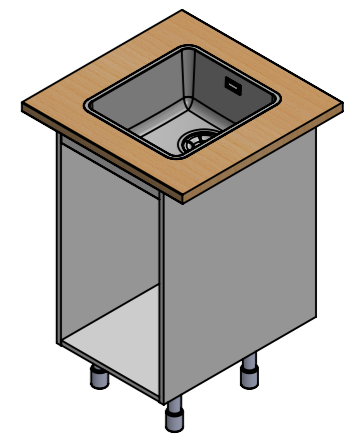
DETAIL D
SCALE 1 : 1



Huom!
Tarvittaessa kaapin väliseinää ja etu/takalistaa lovetettava kiinnikkeitä varten ja pesuallas on kiinnitettävä ennen työtason asennusta.

Obs!
Vid behov måste en inskärning för hofästena göras i skåpets mellanvägg och förbindningslist och diskbänken måste fästas innan du monterar bänkskivan.

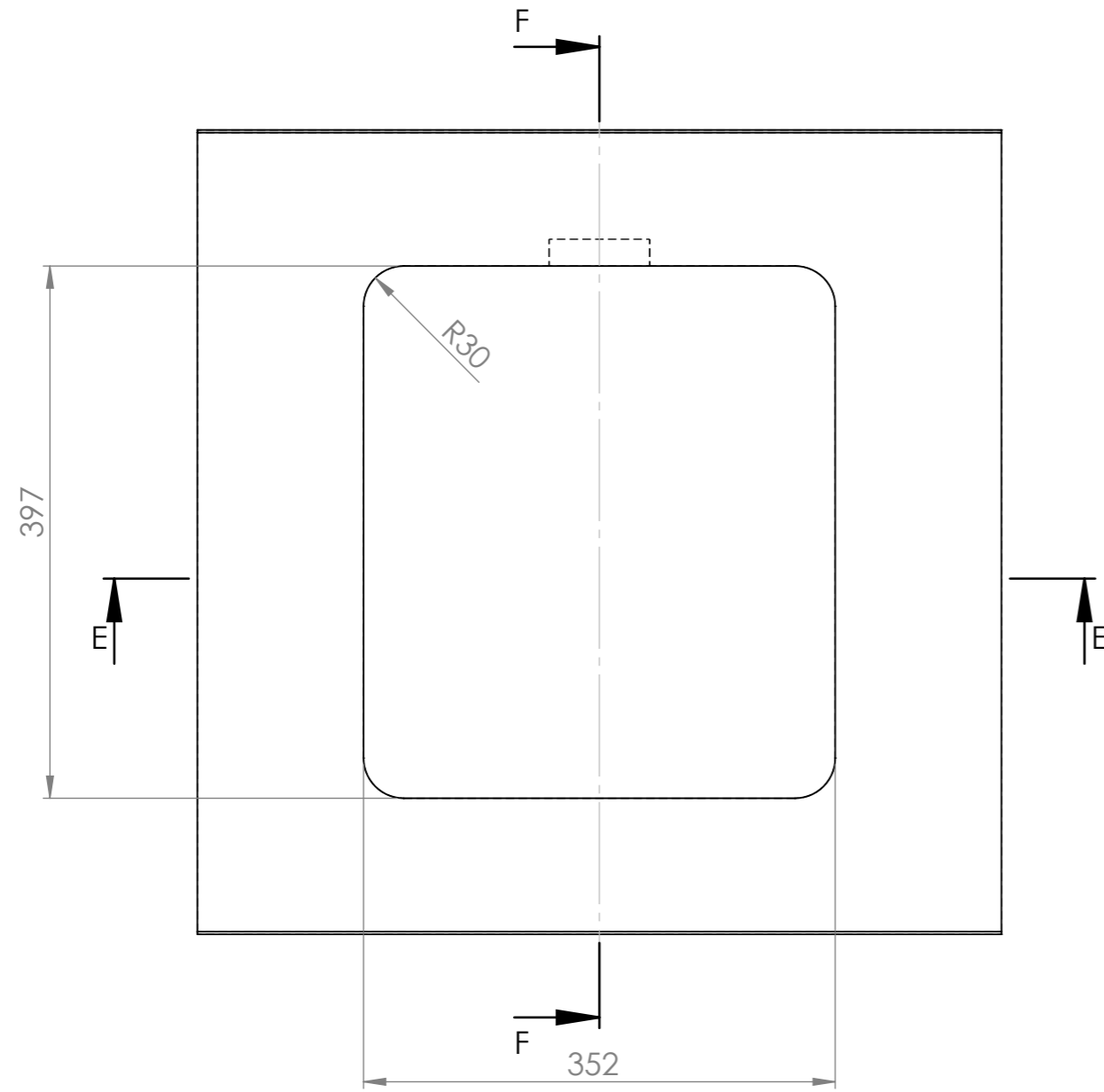
Notice!
The partition walls and front/back list of the cupboard must be notched for the sink mountings when needed and the sink must be fastened before installing the worktop.



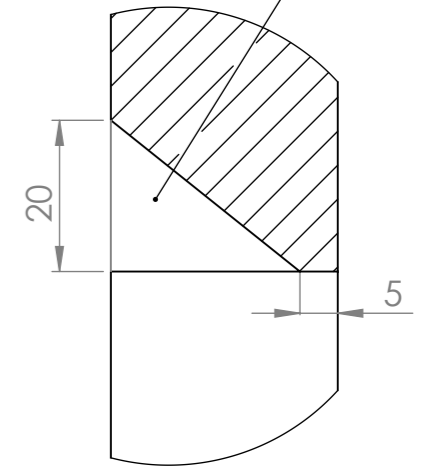
| | | | | | |
|--|------------------|-------|----------------------|----------------|--------------|
| | Mass | kg | General tolerance | Designed by | Date |
| | Size | Scale | Item | VS | 20.03.2024 |
| | A3 | 1:10 | Description | Approved by | Date |
| | | | ONE-34 | VS | 18.04.2024 |
| | Member of ALVEUS | | Technical Data Sheet | Drawing number | Sheet/sheets |
| | | | 19661 | 3/6 | Rev |
| | | | | A | |

| | | | |
|--------------------|---|---|-------------|
| 5 | 6 | 7 | 8 |
| Change description | | | Date |
| | | | Designed by |

CUT-OUT



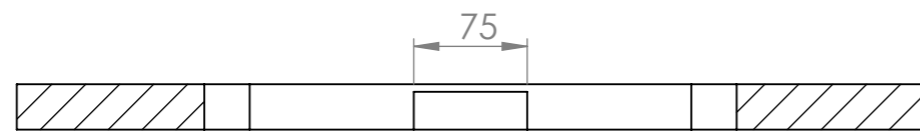
CUT-OUT FOR OVERFLOW



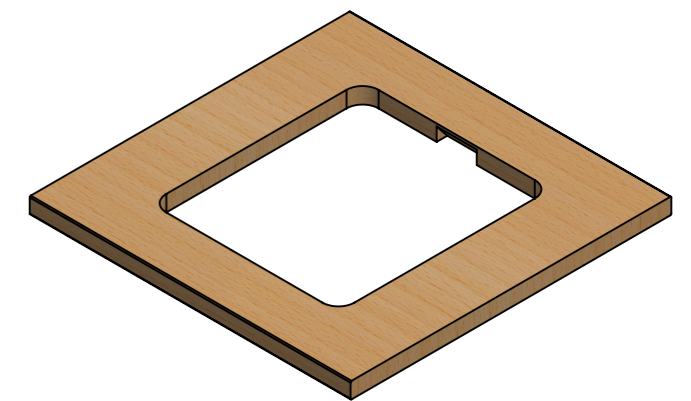
DETAIL G
SCALE 1 : 1



SECTION F-F



SECTION E-E



| | | | | | |
|---------------|------|-------|----------------------|----------------|--------------|
| | Mass | kg | General tolerance | Designed by | Date |
| | Size | Scale | Item | VS | 20.03.2024 |
| Member of | A3 | 1:5 | Description | Approved by | Date |
| | | | ONE-34 | VS | 18.04.2024 |
| | | | Technical Data Sheet | Drawing number | Sheet/sheets |
| | | | 19661 | 4/6 | Rev |
| | | | | A | |

