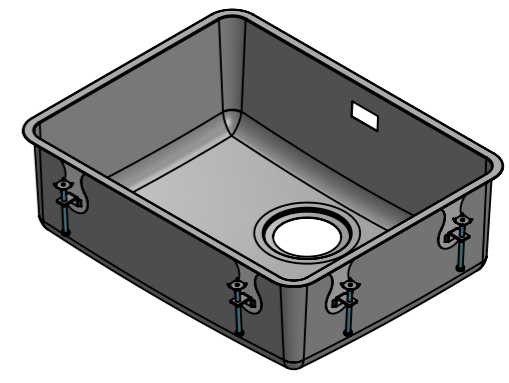
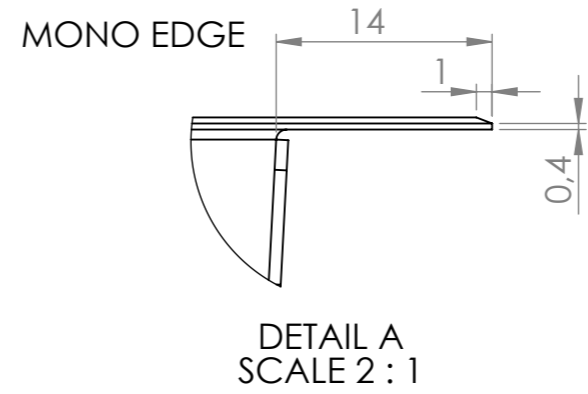
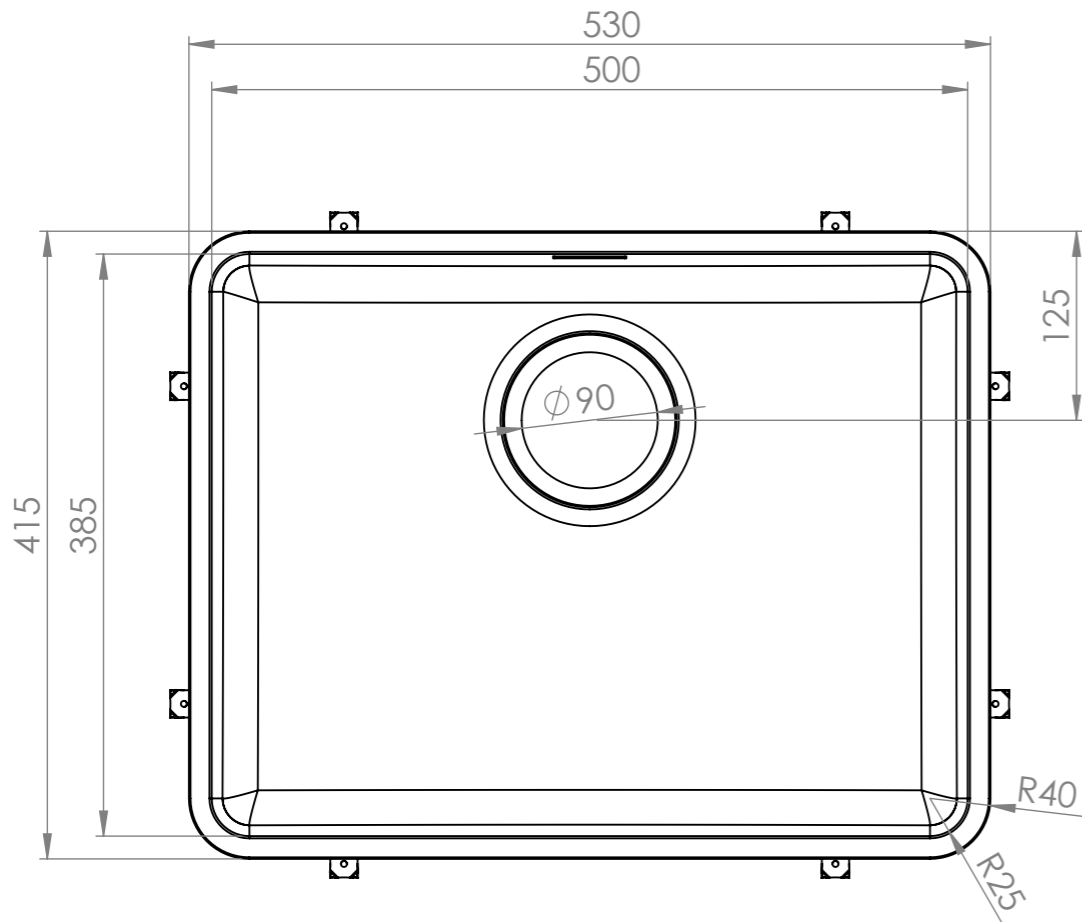
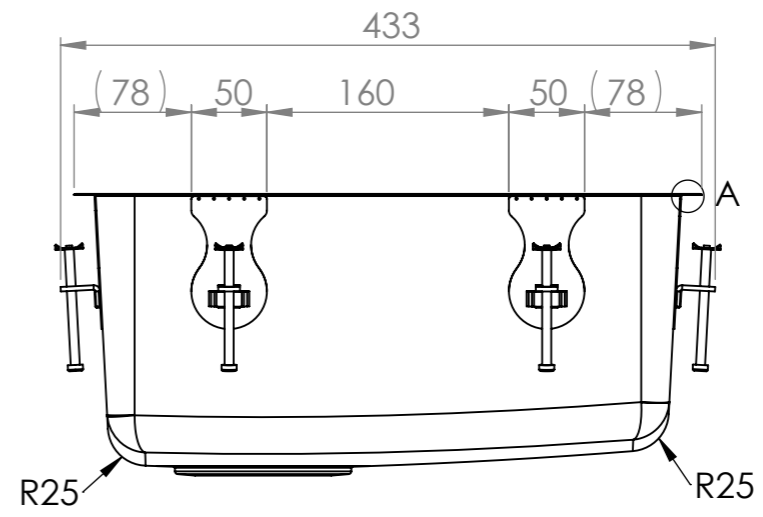
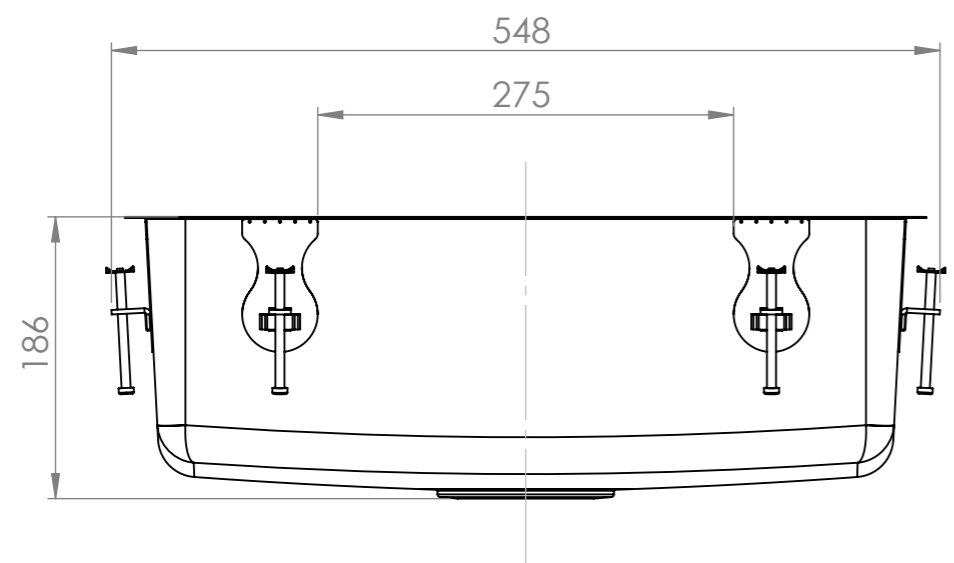


Change description	Date	Designed by
--------------------	------	-------------

MAIN DIMENSIONS

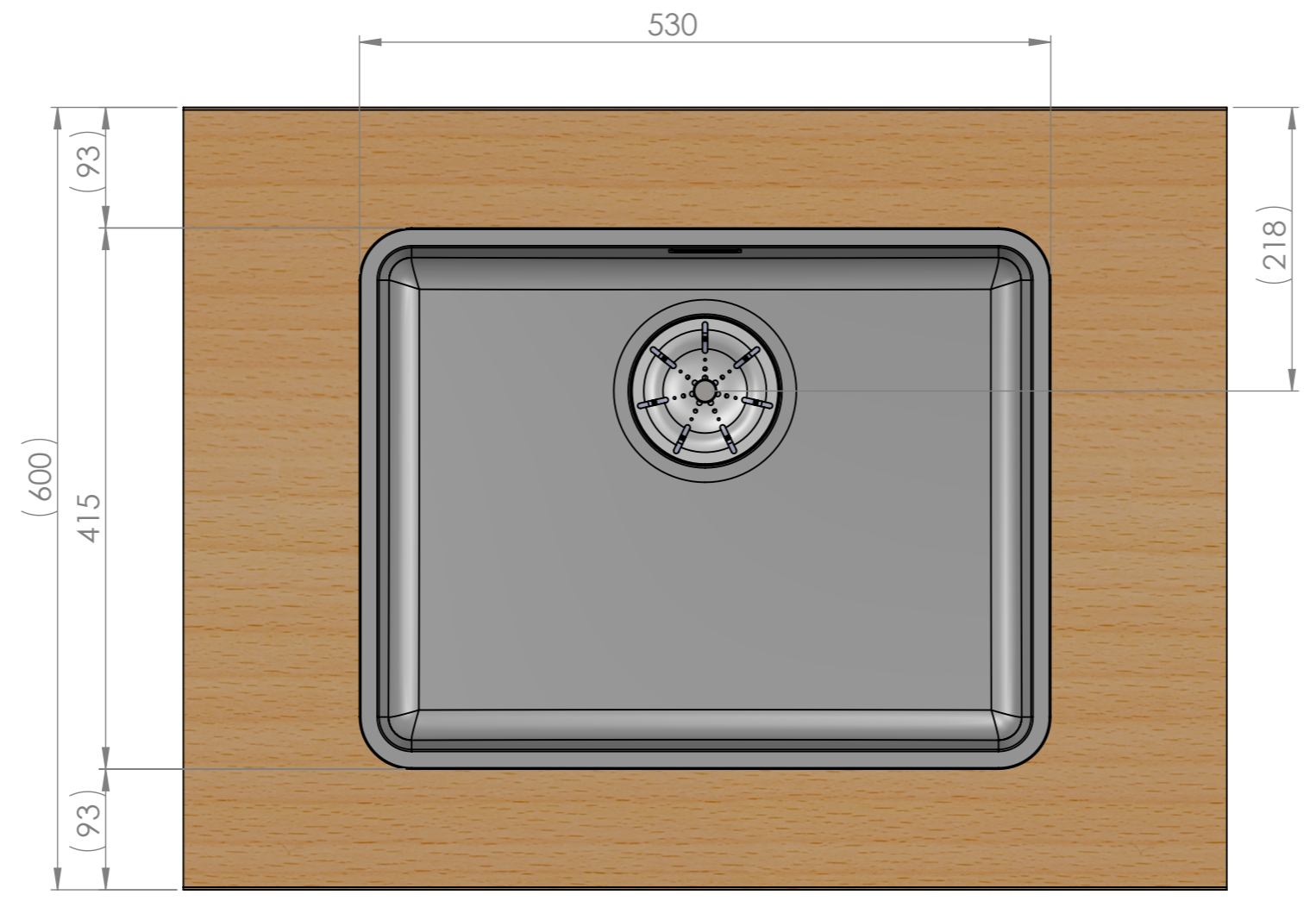


	Mass	kg	General tolerance	Designed by	Date
	Size	Scale	Item	VS	25.03.2024
	A3	1:5	Description	Approved by	Date
	STALA Member of ALVEUS			VS	18.04.2024
			ONE-50	Drawing number	Sheet/sheets
			Technical Data Sheet	19663	1/6
				Rev	A

1 2 3 4 5 6 7 8

Change description	Date	Designed by
--------------------	------	-------------

WORKTOP ASSEMBLY



A
B
C
D
E
F

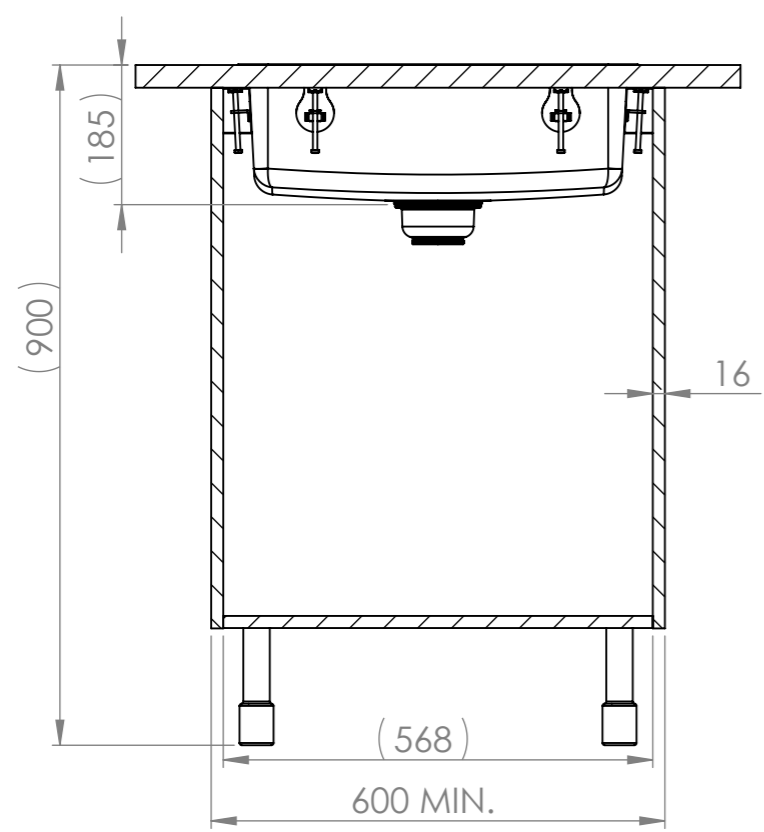
A
B
C
D
E
F

	Mass	kg	General tolerance	Designed by	Date
	Size	Scale	Item	VS	25.03.2024
 Member of	A3	1:5	Description	Approved by	Date
			ONE-50	VS	18.04.2024
			Technical Data Sheet	Drawing number	Sheet/sheets
				19663	2/6
				Rev	A

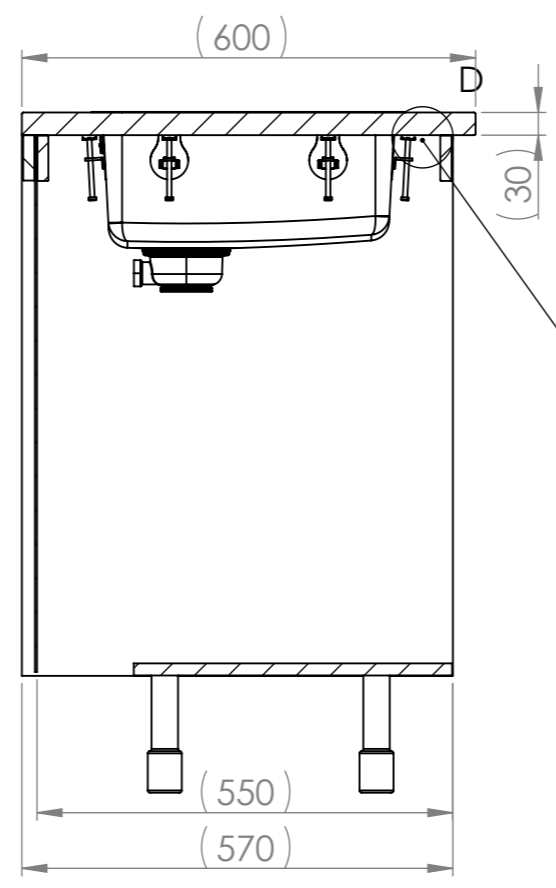
1 2 3 4 5 6 7 8

Change description	Date	Designed by
--------------------	------	-------------

SPACE REQUIREMENTS

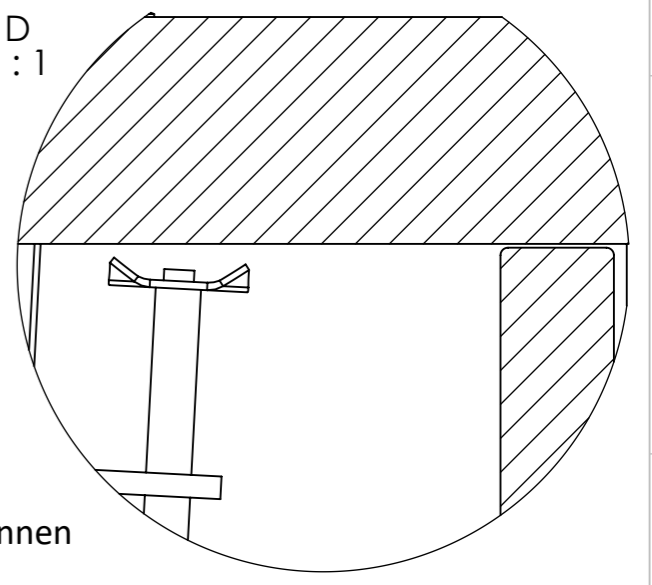


SECTION B-B



SECTION C-C

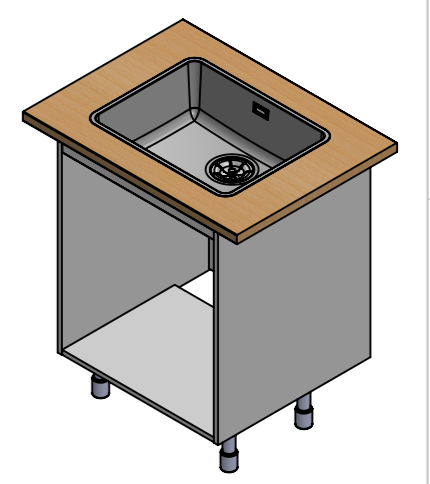
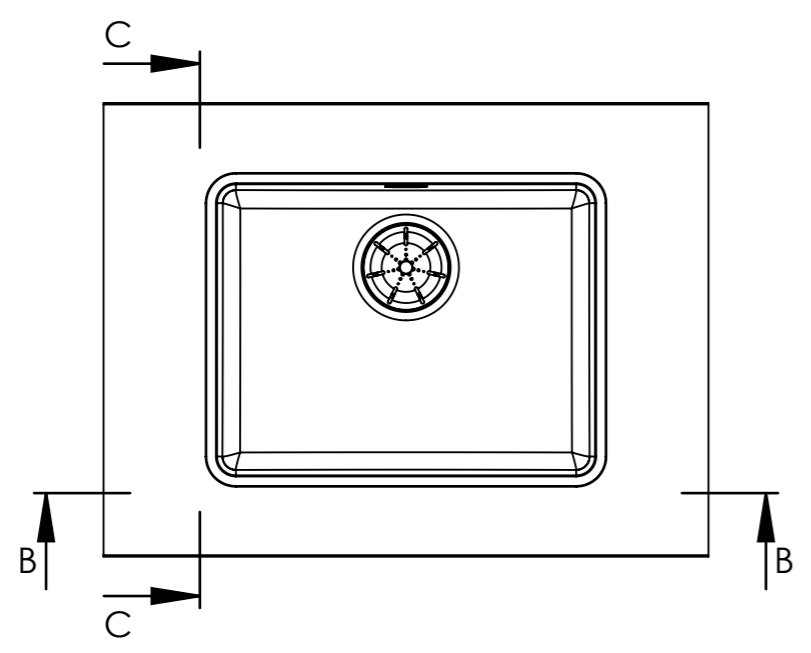
DETAIL D
SCALE 1:1



Huom!
 Tarvittaessa kaapin väliseinää ja etu/takalistaa lovetettava kiinnikkeitä varten ja pesuallas on kiinnitettävä ennen työtason asennusta.

Obs!
 Vid behov måste en inskärning för hofästena göras i skåpets mellanvägg och förbindningslist och diskbänken måste fästas innan du monterar bänkskivan.

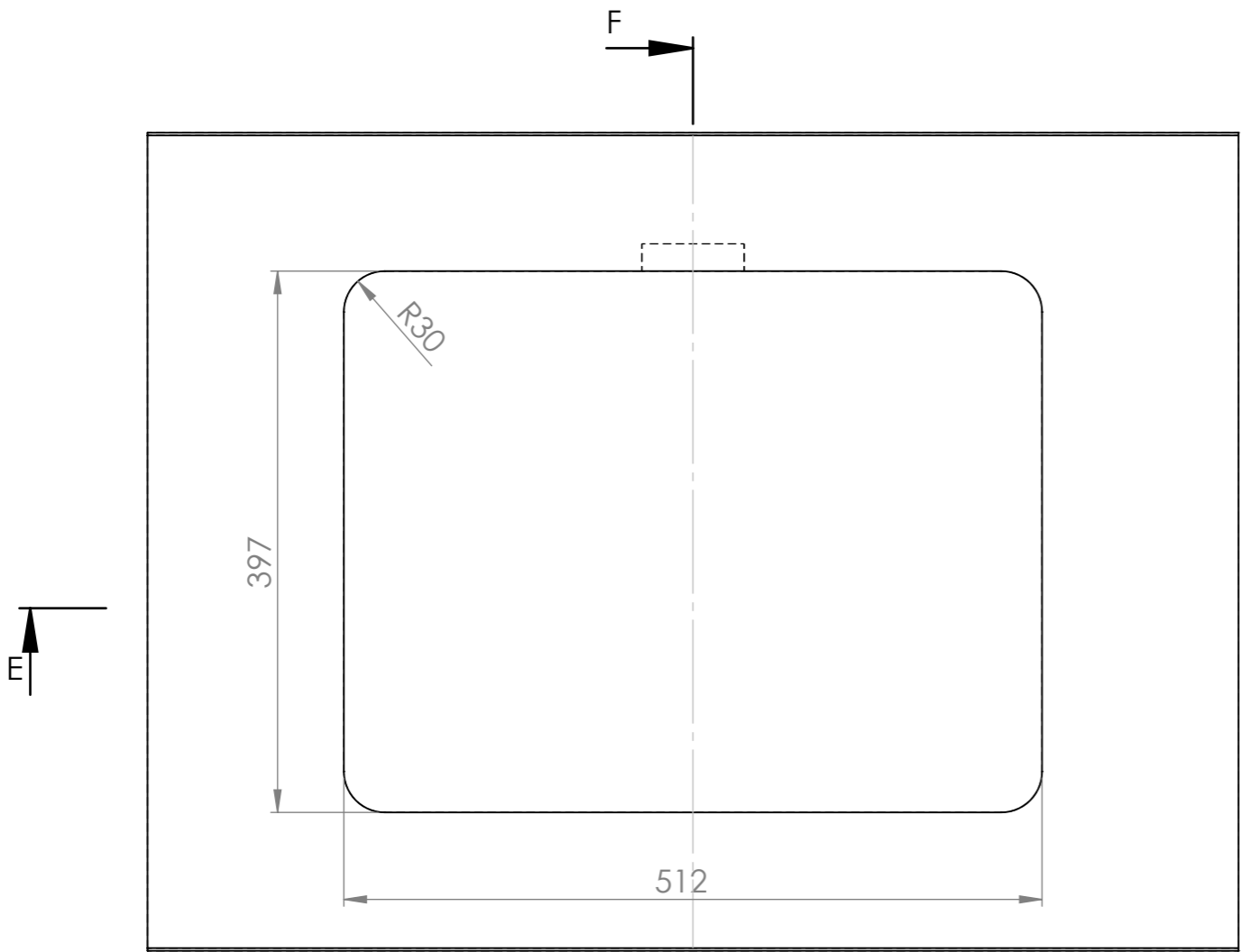
Notice!
 The partition walls and front/back list of the cupboard must be notched for the sink mountings when needed and the sink must be fastened before installing the worktop.



	Mass	kg	General tolerance	Designed by	Date
	Size	A3	Scale	VS	25.03.2024
	Item	ONE-50	Approved by	VS	Date
	Description	Technical Data Sheet	Drawing number	19663	18.04.2024
Member of	ALVEUS	Sheet/sheets	3/6	Rev	A

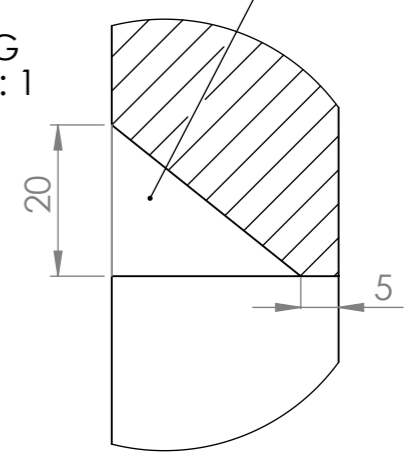
Change description	Date	Designed by
--------------------	------	-------------

CUT-OUT



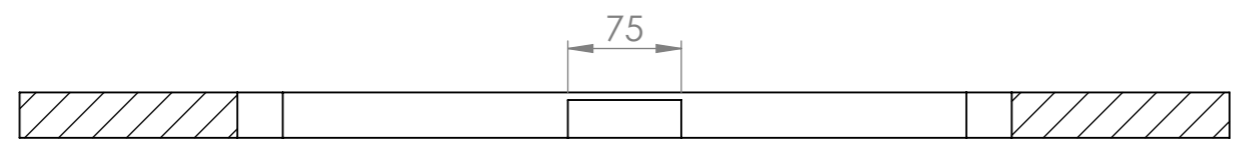
CUT-OUT FOR OVERFLOW

DETAIL G
SCALE 1 : 1

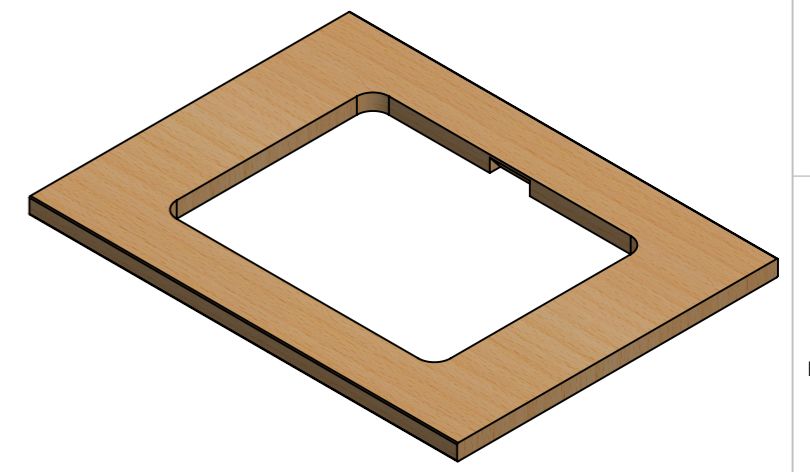


SECTION F-F

E



SECTION E-E



	Mass	kg	General tolerance	Designed by	Date
	Size	Scale	Item	VS	25.03.2024
	A3	1:5	ONE-50	Approved by	Date
	Member of ALVEUS			VS	18.04.2024
Description			Drawing number	Sheet/sheets	
Technical Data Sheet			19663	4/6	
				Rev	A

